

Olymberyl® Baby Gabriel®
 Model HF217-SE
 GENERAL SPECIFICATION

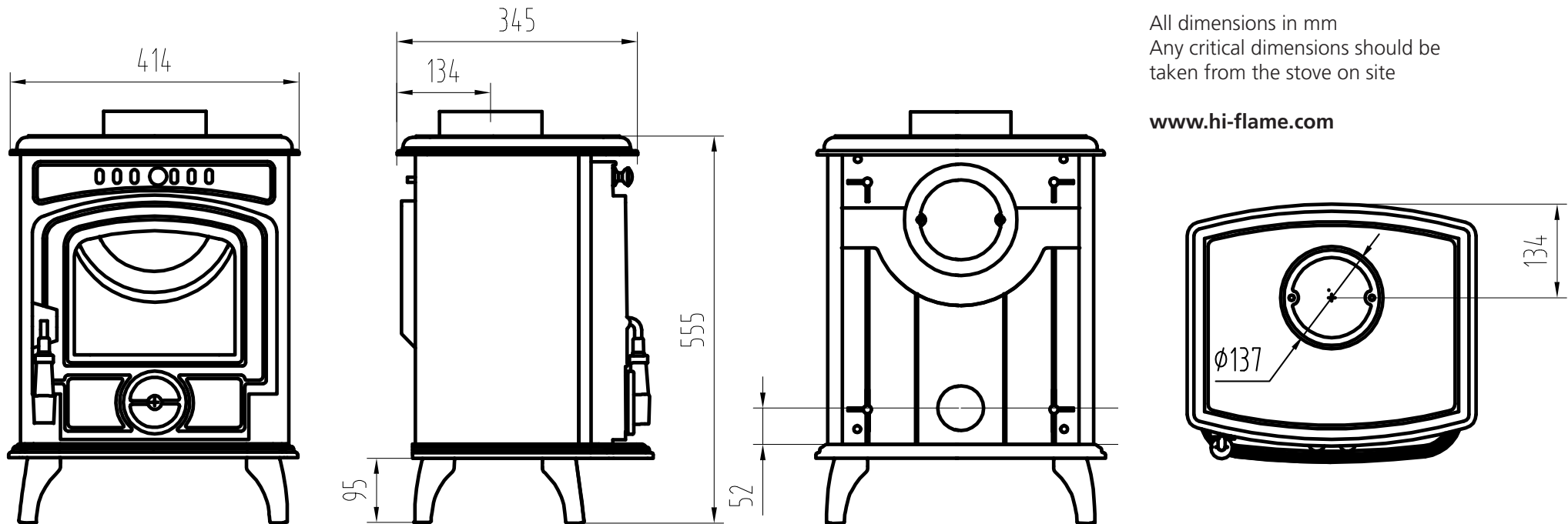
- **The HF217-SE is Defra Approved**
- **The HF217-SE data is SEAI verified** The output and efficiency has been verified by the Sustainable Energy Authority of Ireland (SEAI) and is listed on their Register of Performance (HARP) database



hi-flame
 MULTI FUEL STOVES

All dimensions in mm
 Any critical dimensions should be taken from the stove on site

www.hi-flame.com



CPR DECLARATION OF PERFORMANCE

CPR DECLARATION OF PERFORMANCE (DoP)

The materials, design, construction and operating instructions, as well as the CE marking, meet or exceed the appropriate EN13240 Type Test requirements for this type of appliance. Data from Kiwa GasTec BS EN13240: 2001 test January 2011 for wood logs.

General Specification

Model Name	Baby Gabriel®
Model Number	HF217-SE
Overall Height	555 mm
Overall Width	414 mm

Overall Depth	345 mm
Net Weight	83 kg
Gross Weight (packed)	91 kg
Performance	
Fuel	Wood Logs
Nominal Heat Output	4.6 kW
Refuelling Interval	0.75 hr
Efficiency (net)	75%
Mean CO Emission (at 13%)	0.25
Mean Flue Gas Temperature	296°C
Flue Gas Mass Flow	4.5 g/s
Fuel Requirements	
Wood Logs: Moisture content	<20%
Maximum Log Length	250 mm

Max Fuel Load	1.5 kg
Flue	
Flue configuration	top or rear
Flue pipe diameter	125 mm
Height to centre of rear flue	435 mm
From centre of top flue to back	134 mm
Minimum flue height from base of stove	4500 mm
Minimum Distance to Combustibles	
We do not recommend the use of combustible mantels (eg wood).	
Rear	450 mm
Sides	350 mm

HF217-SE SECONDARY AIR INTAKE SLIDER CONTROL – DEFRA MODELS

In order to comply with Defra emissions criteria the slider control cannot be fully closed. It has been fitted with a mechanical stop to prevent it closing beyond the 3mm open position (see below).

